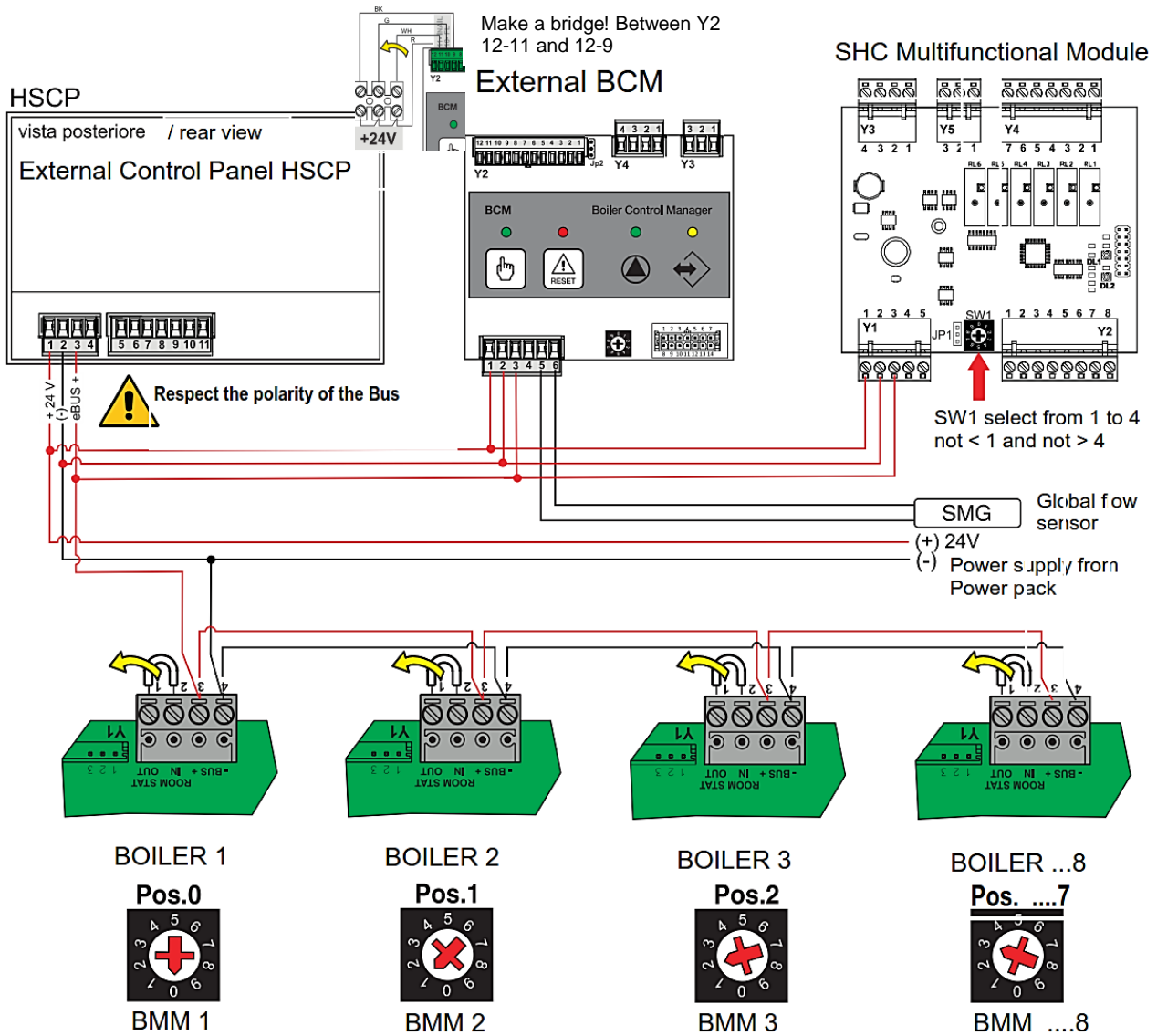


HSCP + SHC + BCM (HCM) + Boilers (BMM)



IMPORTANT! Remove the bridge from the "Room Stat" Connection of the boilers
Set the Enabled Service parameter to "2"

Parameter setting for cascade (BMM) boilers connection:

Set true the HSCP (Service code "0000") – Menu "Device Management" – BMM 1 – "Parameter Setting" - "803" = "2"



Or
Set true the display of the boiler (Service code "81") MENU "FA" – SERVICE CODE "81" – Parameter ST = 2

